

Genicom

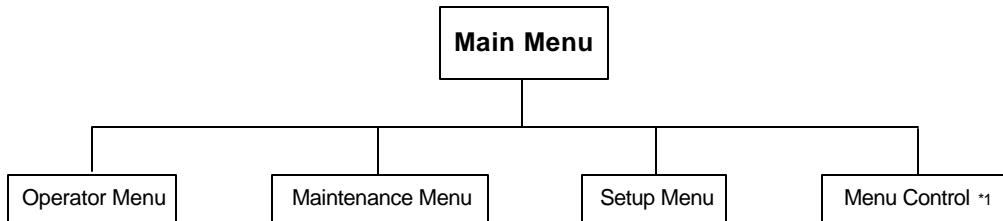
**5000 Series
Menu Maps Addendum
GEK-00049**

LCD MENU MAPS

NOTE

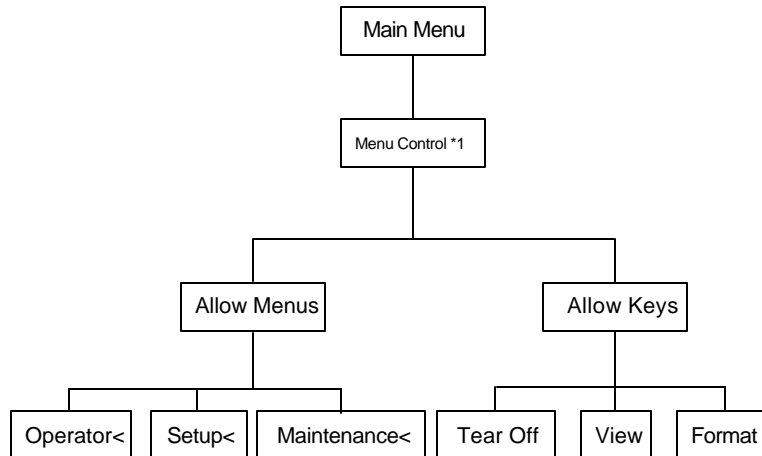
The following menu maps reflect the following software:

Standard 44A107175
IPDS 44A107160
SCS 44A107159



NOTE

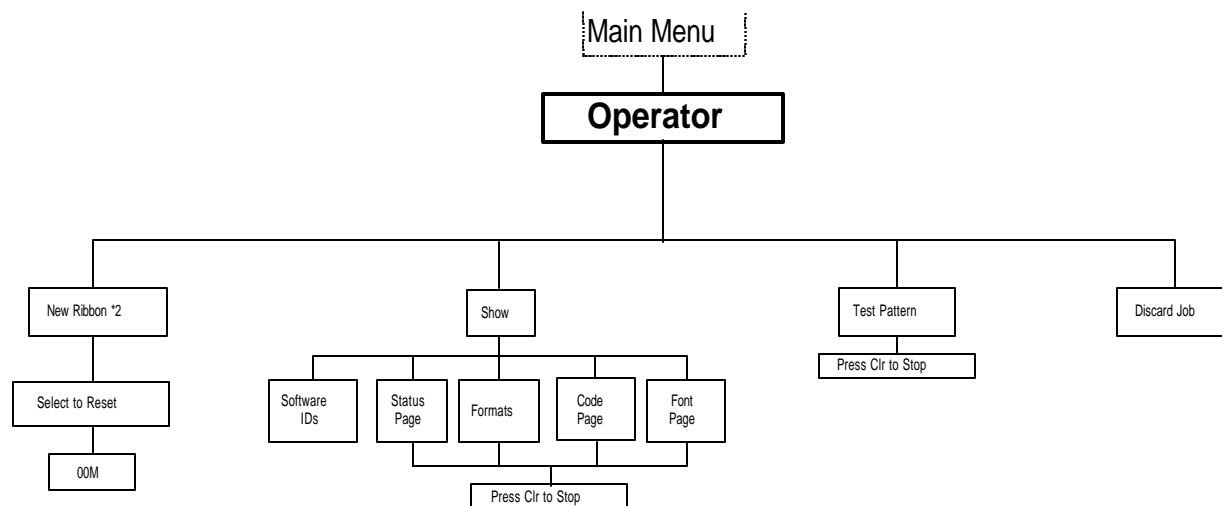
Operator, Maintenance, Setup and Menu Control menus are expanded on separate pages.



NOTE

To display this menu, see “Using Menu Control” in Chapter 3 of the *User’s Manual*.

*1 This menu is visible after menu control power-up procedures. See Menu Control in Chapter 2 of the User’s Manual for details.



*2 Not active if Ribbon Monitor is disabled

Main Menu

Setup

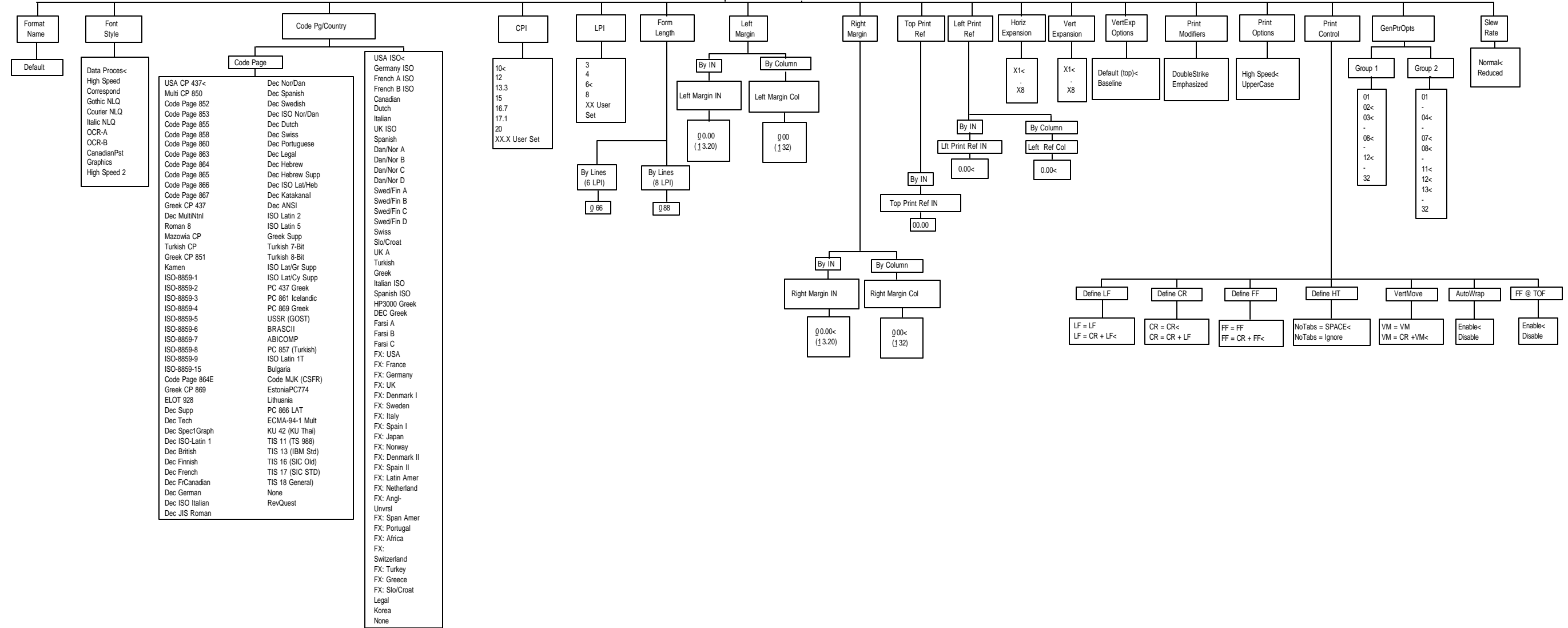
Top Level Menu Options Continued on Next Page

Format

Modify Format

Save Format

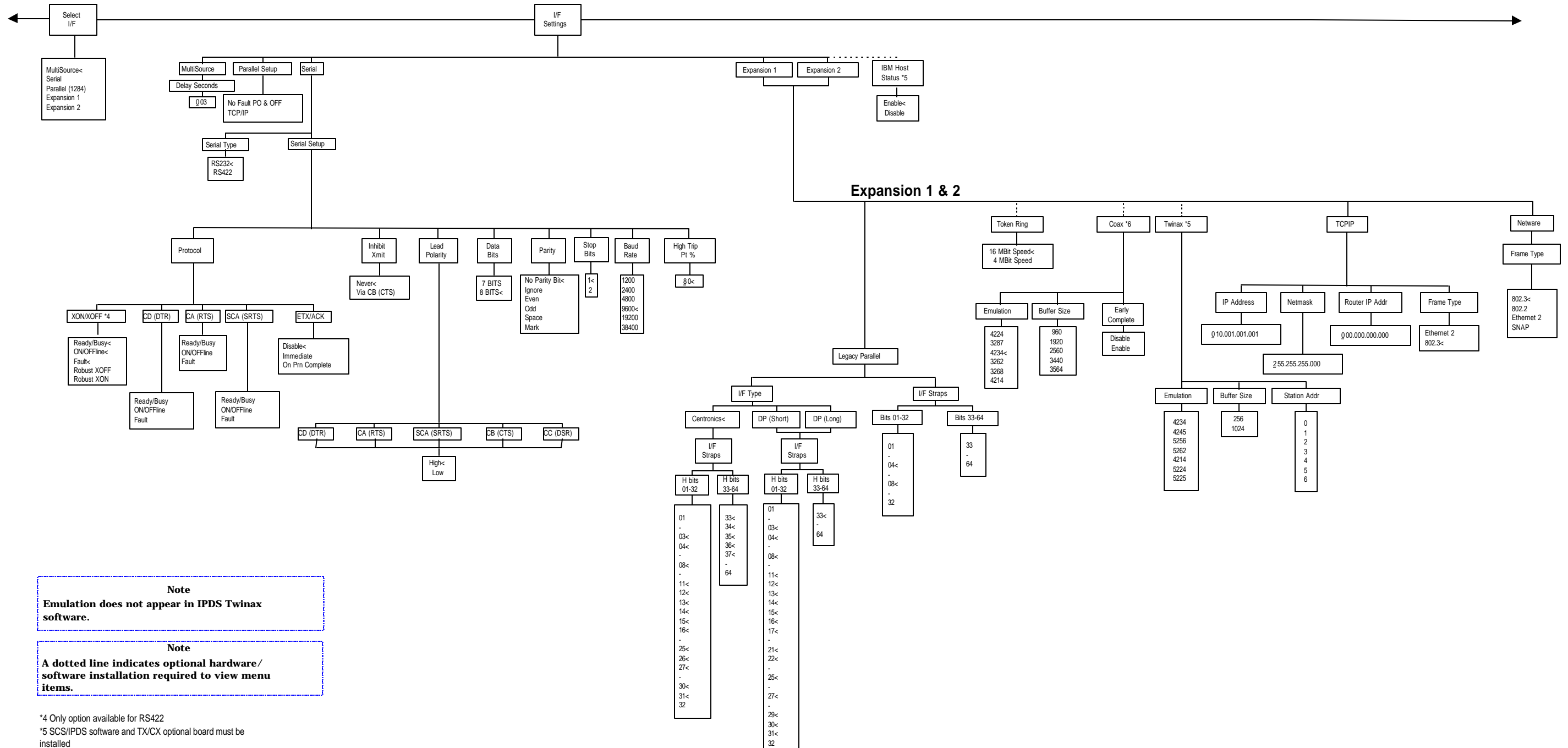
DEFAULT
Blank Format 1
...
Blank Format 9



Main Menu
Setup

Top Level Menu Options Continued from Previous Page

Top Level Menu Options Continued on Next Page



Note
Emulation does not appear in IPDS Twinax software.

Note
A dotted line indicates optional hardware/software installation required to view menu items.

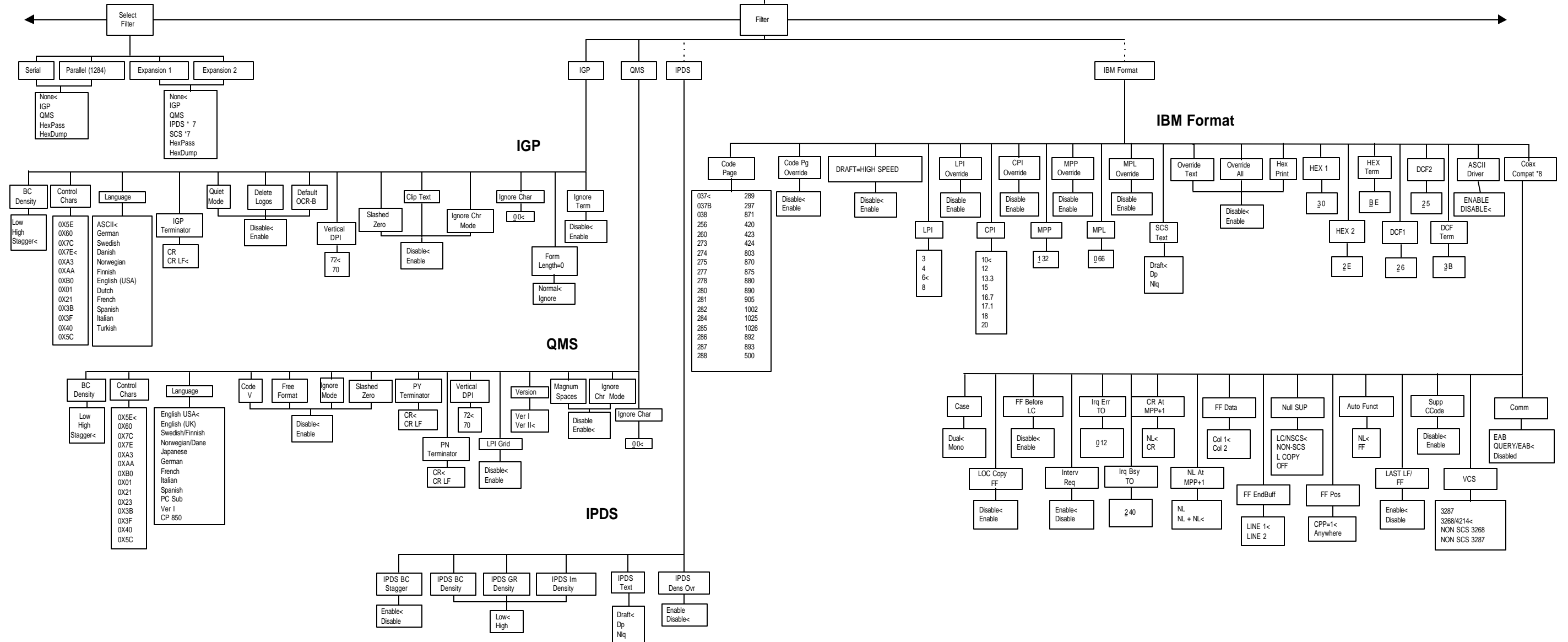
*4 Only option available for RS422
*5 SCS/IPDS software and TX/CX optional board must be installed
*6 Only visible with SCS & IPDS software installed

Main Menu

Setup

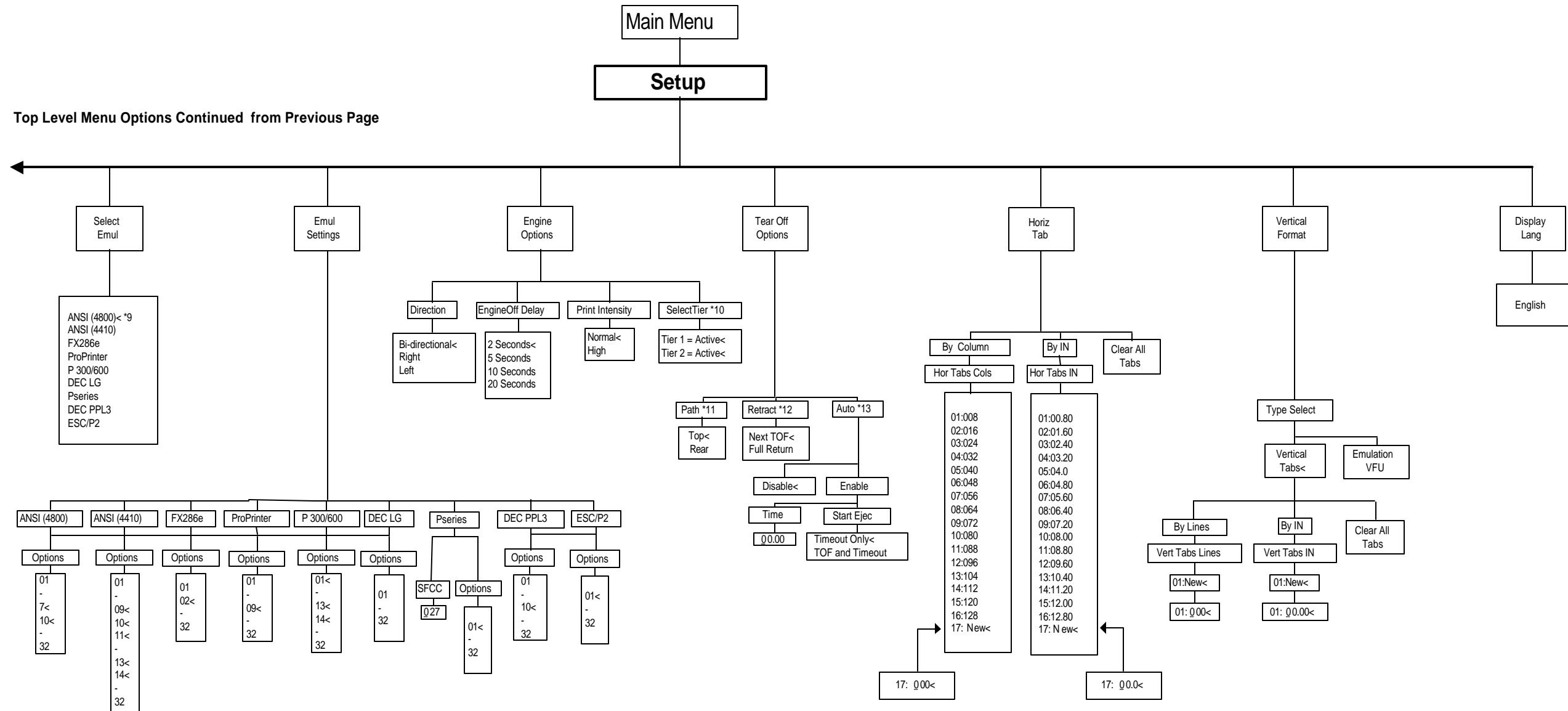
Top Level Menu Options Continued from Previous Page

Top Level Menu Options Continued on Next Page



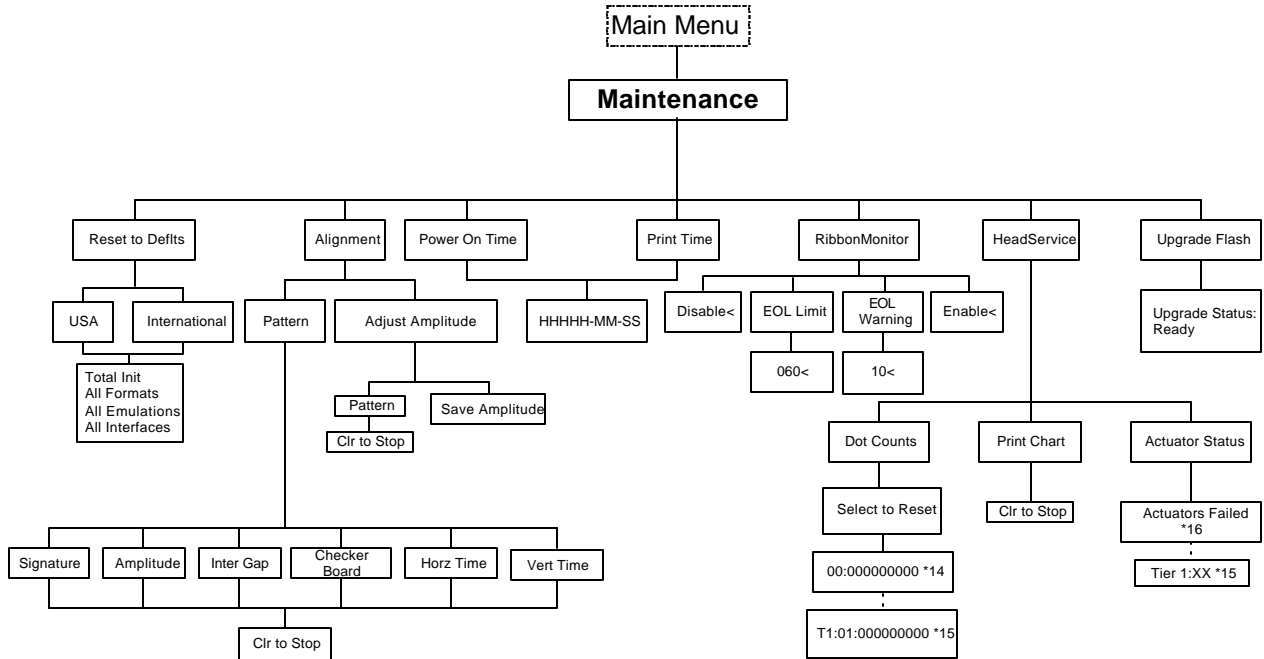
Note
 A dotted line indicates optional hardware/
 software installation required to view menu
 items.

*7 Visible with IPDS & SCS software loaded
 *8 COAX ONLY IPDS & SCS



Note
 A dotted line indicates optional hardware/
 software installation required to view menu
 items.

*9 IPDS & SCS
 *10 5180 Model Only
 *11 Available in 5050/5100 Pedestal Model Only
 *12 Available in 5180/5050/5100 Model
 *13 Available and visible in Form Saver Model Only



Note
A dotted line indicates optional hardware/software installation required to view menu items.

*14 Information will reflect the actuator number (1-33) followed by the dot count value for each actuator (1-33).
 *15 5180 model only. Information will reflect Tier 1(2) and actuators 1-33(34-66)
 *16 Either "None" or a # will be displayed to reflect which actuator has failed